

Service Schematics

NOKIA

3600

SLIDE

Introduction

Important:

This document is intended for use by authorized service centers only.

“Service Schematics“ was created with focus on customer care.
The purpose of this document is to provide further technical repair information for NOKIA mobile phones on Level 3/4 service activities.
It contains additional information such as e.g. “Component finder”.

Saving process time and improving the repair quality is the aim of this document.
It is to be used additionally to the service manual and other training or service information such as Service Bulletins.

While every endeavour has been made to ensure the accuracy of this document, some errors may exist. If the reader finds any errors, NOKIA should be notified in writing.

Please send E-Mail to: TrainingAndVendor.Development@nokia.com

RM-352

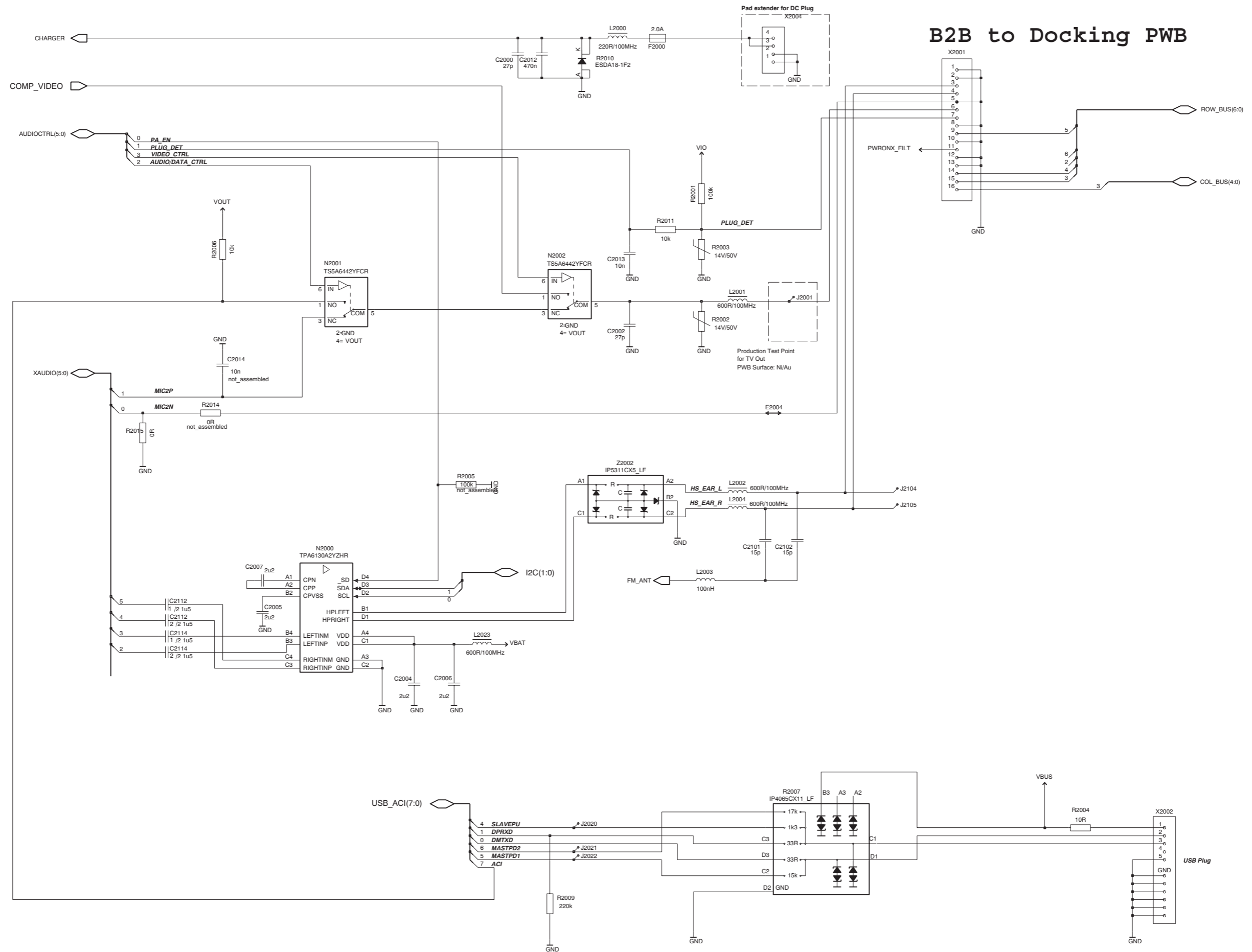


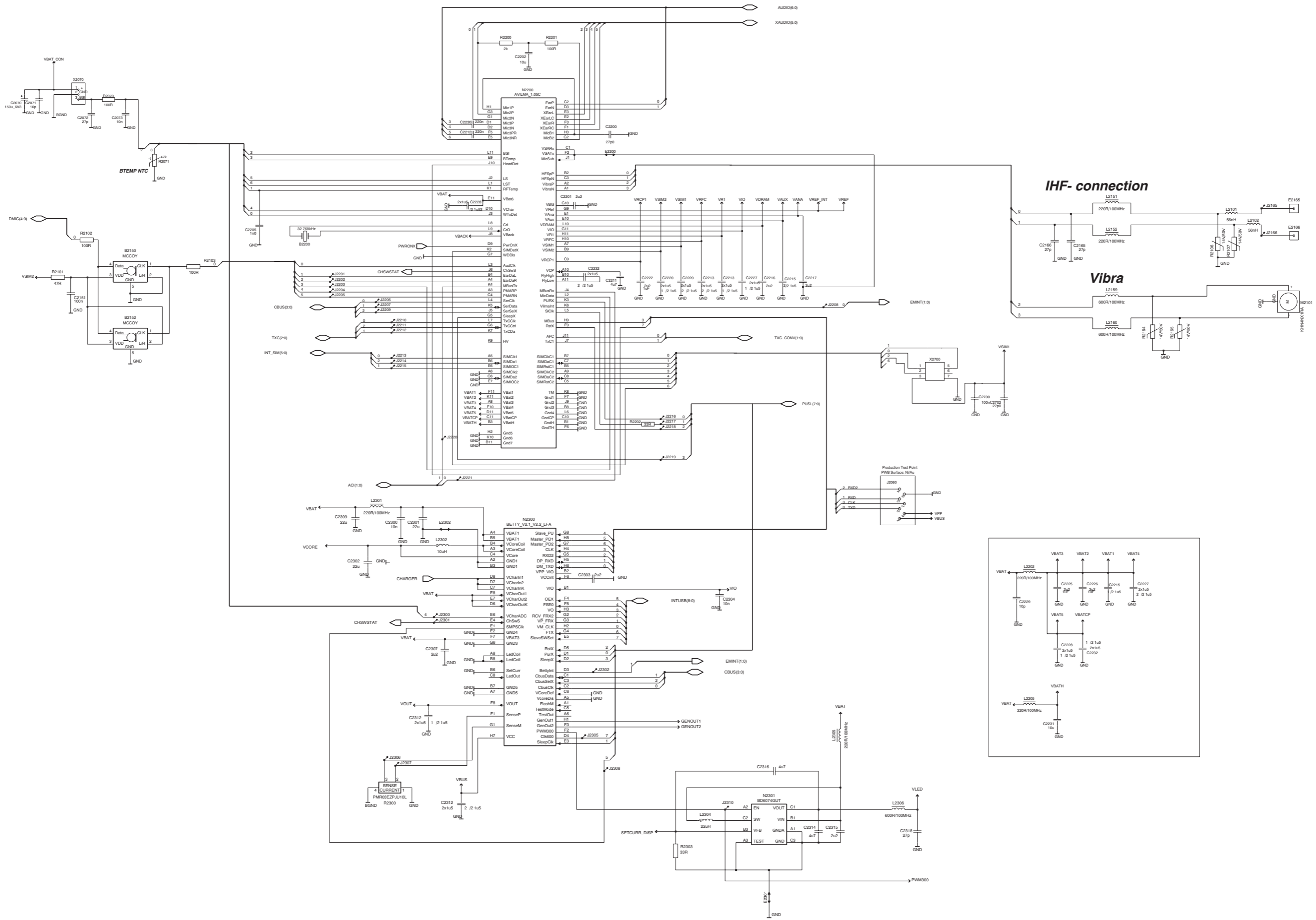
Table of contents

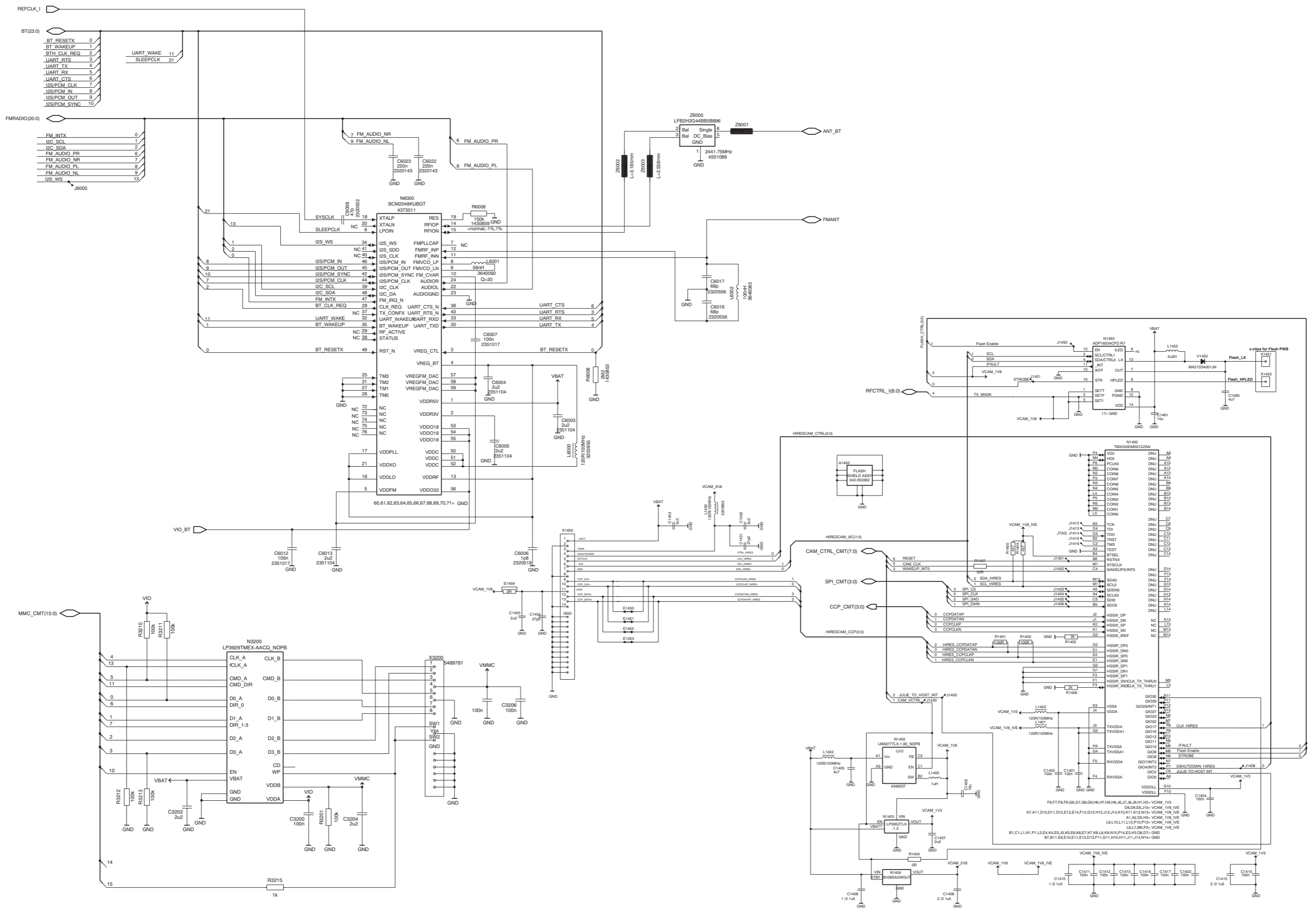
Frontpage	1
System & USB connector	2
Betty, AVilma, audio, SIM & battery	3
Bluetooth, Radio, MicroSD & Camera	4
RAPS	5
UI	6
RF part	7
Component finder	8

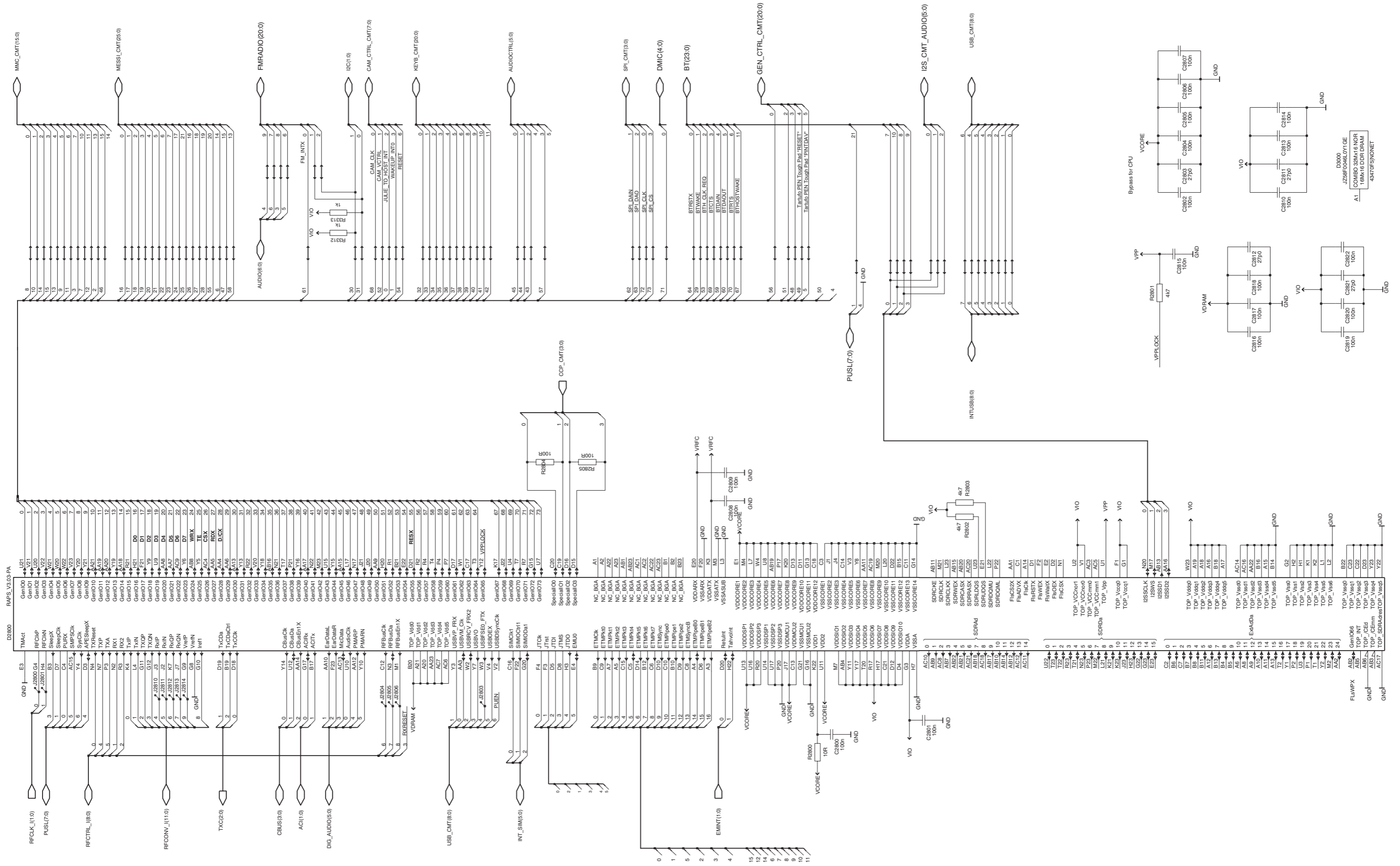
Copyright © NOKIA

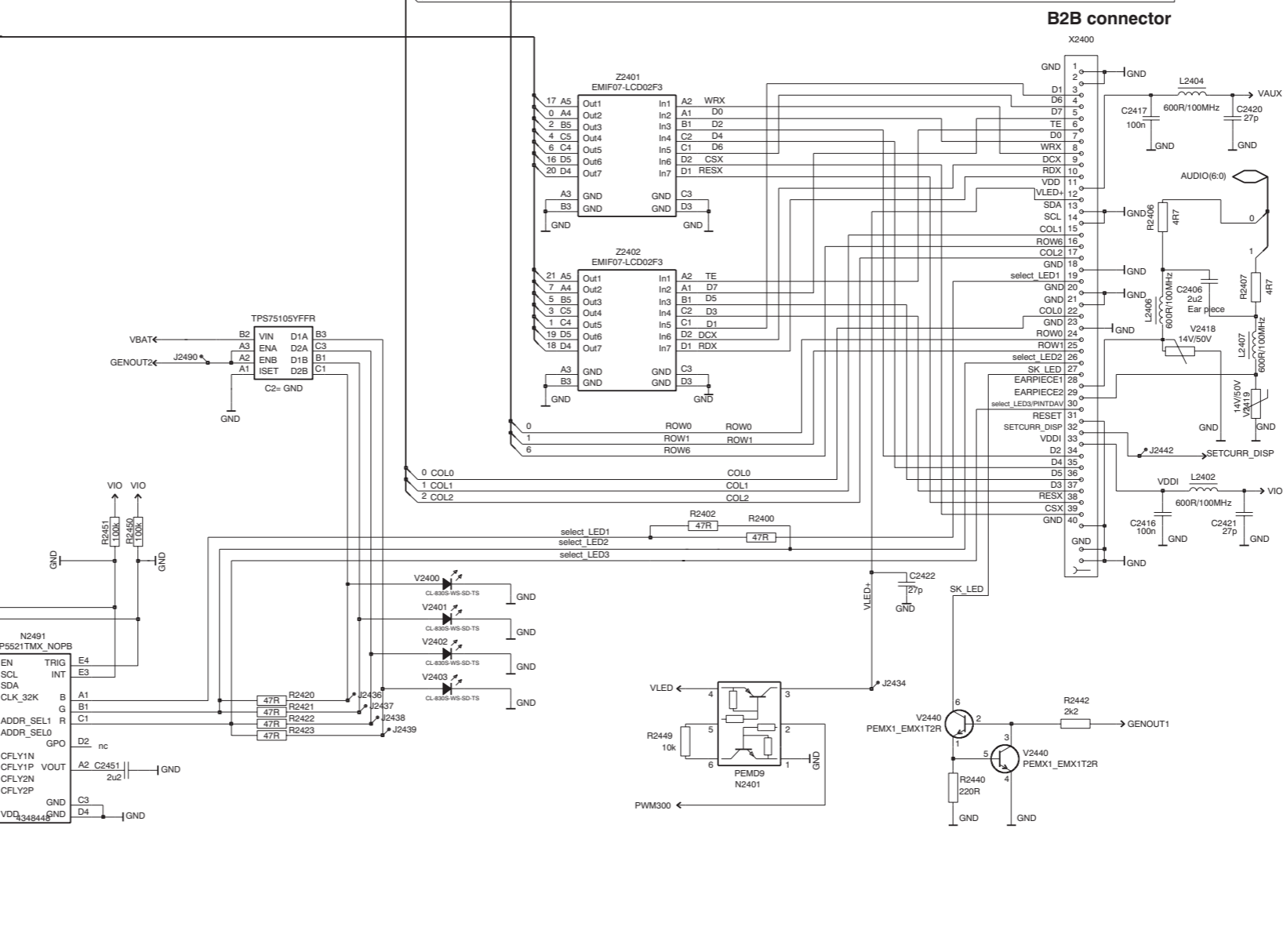
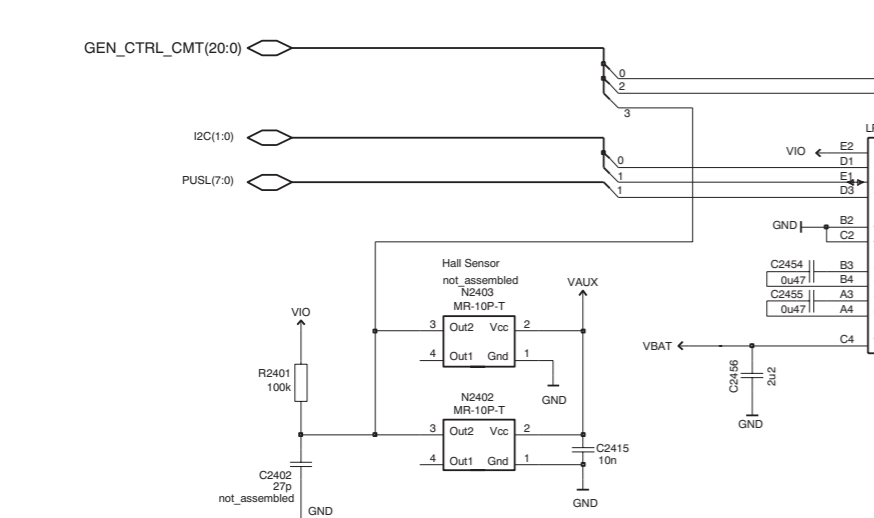
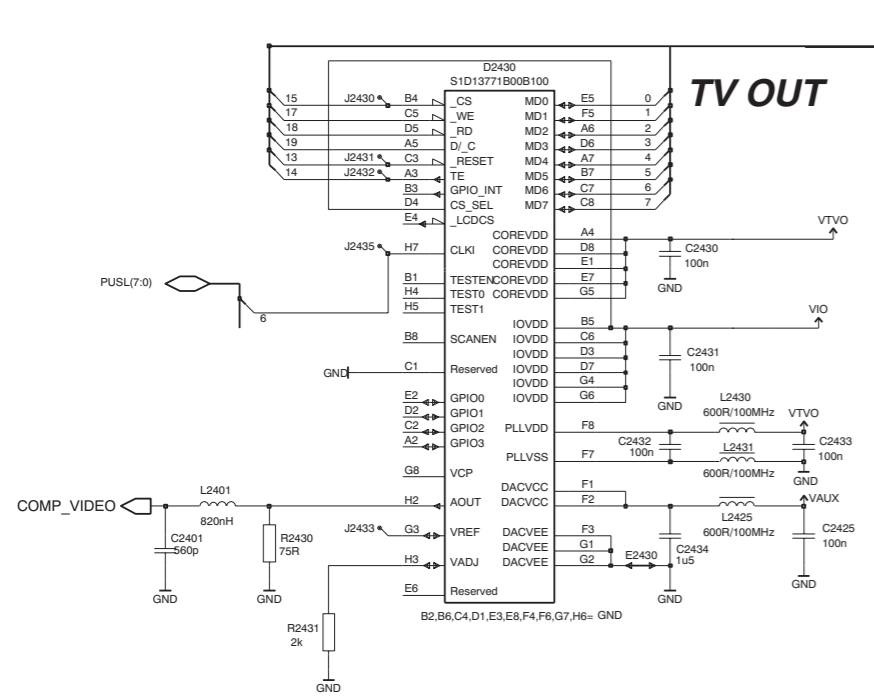
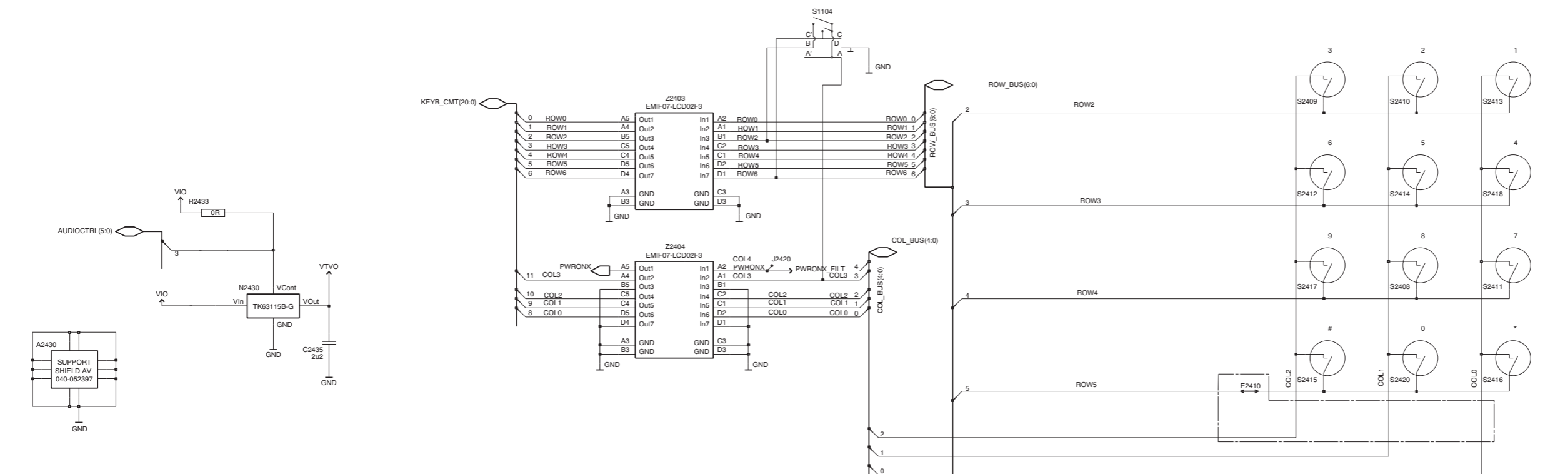
This material, including documentation and any related computer programs is protected by copyright, controlled by NOKIA. All rights are reserved. Copying, including reproducing, modifying, storing, adapting or translating any or all of this material requires the prior written consent of NOKIA. This material also contains confidential information, which may not be disclosed to others without the prior written consent of NOKIA.

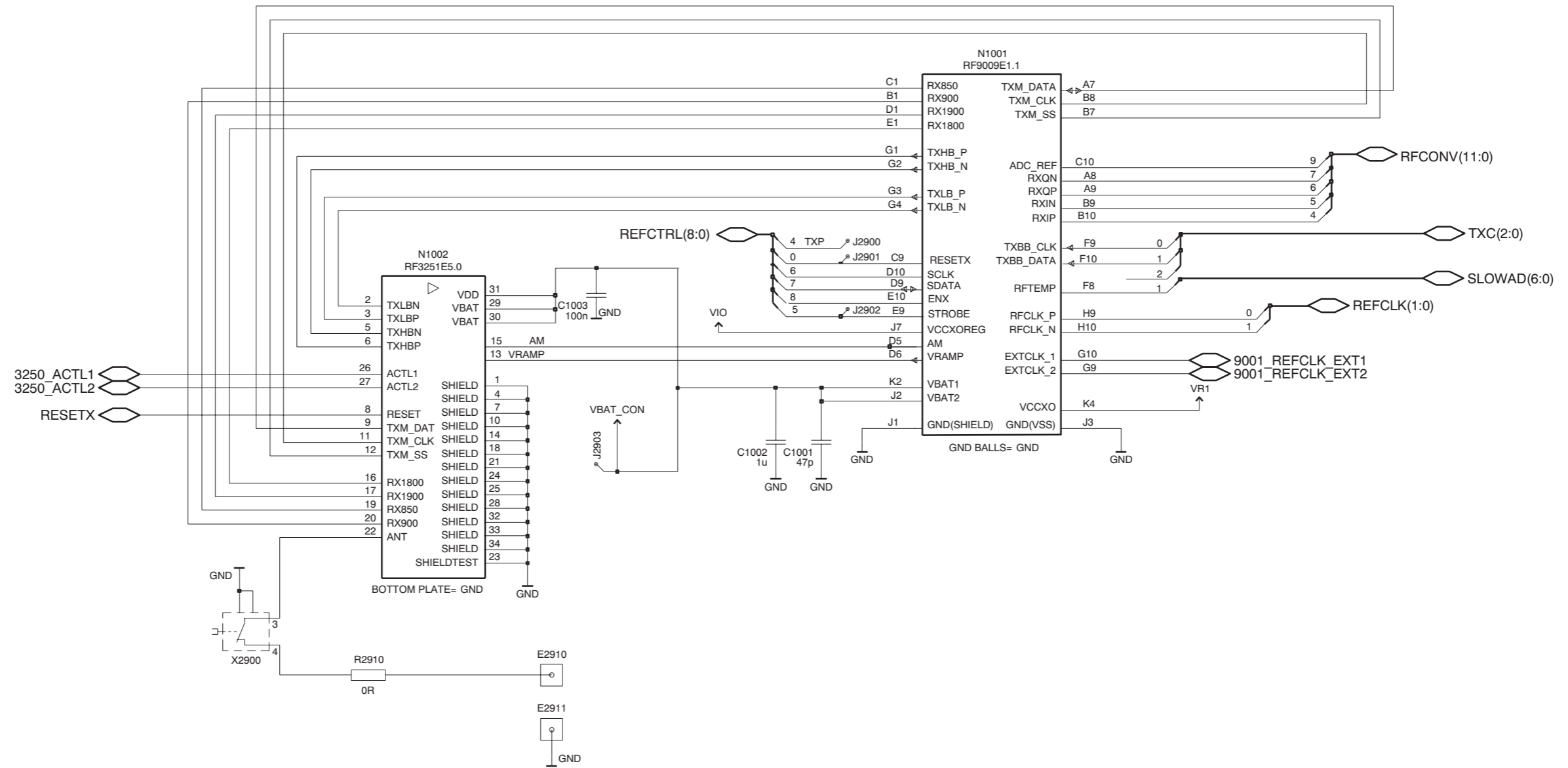












	A	C2301	H4	C6013	D3	N2301	F2	R2802	I7
A1450	P7	C2302	I5	C6016	C4	N2300	H4	R2803	I6
A2430	R3	C2303	G4	C6017	C4	N2401	E2	R2804	I5
	B	C2304	H4	C6020	C8	N2402	G5	R2805	H5
B2150	C9	C2307	H5	C6022	E3	N2403	F5	R2910	B7
B2152	F9	C2309	H5	C6023	C3	N2430	N2	R3201	I9
B2200	F3	C2312	G5	C6024	C4	N2490	C2	R3210	I8
	C	C2314	F3	D	N2491	D3	R3211	I8	
C1001	E8	C2315	G3	D2800	H7	N3200	I8	R3212	H8
C1002	E7	C2316	F2	D3000	H7	N6000	D4	R3213	H8
C1003	E8	C2318	E2	D2430	O2	R	R3215	H8	
C1401	O5	C2401	O1	E	R1400	O3	R3312	D3	
C1402	O4	C2402	H5	E2165	E1	R1401	N4	R3313	D3
C1403	O5	C2406	M3	E2166	C1	R1402	N4	R6006	D3
C1404	N3	C2415	F5	E2910	B6	R1403	O3	R6008	C3
C1405	N5	C2416	L1	E2911	B7	R1404	R3	S	
C1406	M5	C2417	M2	E6000	D9	R1405	N5	S1104	F1
C1407	N5	C2420	M2	F	R1406	N5	V		
C1408	Q3	C2421	M1	F2000	R8	R1407	O4	V1453	P7
C1410	O5	C2422	K1	G	R1410	R3	V2400	F1	
C1411	N5	C2425	O2	G2200	I1	R1454	Q7	V2401	F9
C1413	O5	C2430	O3	L	R1455	Q8	V2402	C9	
C1415	O5	C2431	M2	L1401	O5	R1456	Q8	V2403	C1
C1416	N3	C2432	N2	L1402	N5	R2001	Q1	V2418	M2
C1417	N3	C2433	N2	L1403	O5	R2002	S3	V2419	M2
C1451	Q7	C2434	O2	L1405	M5	R2003	Q1	V2440	E3
C1452	Q7	C2435	N2	L1450	R7	R2004	P6	X	
C1453	P6	C2451	D3	L1452	P7	R2005	R2	X1400	Q5
C1454	Q3	C2454	D2	L2000	R8	R2006	R3	X1450	Q6
C1455	Q3	C2455	D2	L2001	S2	R2007	P6	X1451	Q6
C1460	Q7	C2456	D2	L2002	R2	R2009	P6	X2001	P3
C1461	P8	C2461	D3	L2003	S2	R2010	R7	X2002	P9
C2000	Q7	C2463	D2	L2004	R2	R2011	Q1	X2004	S7
C2002	S3	C2700	J8	L2023	R3	R2014	G4	X2060	J1
C2004	R3	C2701	J8	L2070	F8	R2015	G4	X2070	F7
C2005	R1	C2702	J8	L2101	D1	R2070	F5	X2400	L2
C2006	R3	C2800	I6	L2102	C1	R2071	Q1	X2700	K7
C2007	R3	C2801	H5	L2151	D1	R2101	F9	X2900	B7
C2012	R7	C2802	I8	L2152	D1	R2102	E9	X3200	N7
C2013	Q1	C2803	G7	L2159	R3	R2103	E9	Z	
C2014	R3	C2804	G8	L2160	S3	R2106	D2	Z1450	Q4
C2070	E9	C2805	I6	L2202	E5	R2107	C1	Z1451	Q4
C2071	E8	C2806	G6	L2205	G5	R2164	R3	Z2002	R2
C2072	F7	C2807	I5	L2301	I5	R2165	S3	Z2401	M2
C2073	F5	C2808	G6	L2302	I4	R2200	G3	Z2402	N2
C2074	F8	C2809	I6	L2304	G2	R2201	G3	Z2403	M4
C2101	S2	C2810	I6	L2305	E3	R2202	E3	Z2404	M4
C2102	S2	C2811	G7	L2306	E2	R2250	G3	Z6000	C4
C2112	Q2	C2812	I6	L2401	O1	R2251	G3		
C2114	Q3	C2813	H5	L2402	L1	R2300	E7		
C2151	F9	C2814	F5	L2404	M2	R2303	F2		
C2165	D1	C2815	G7	L2406	M2	R2400	C3		
C2166	D2	C2816	I7	L2407	M2	R2401	H5		
C2200	G3	C2817	H8	L2425	O2	R2402	C3		
C2201	F3	C2818	I5	L2430	N2	R2403	C3		
C2202	G3	C2819	F6	L2431	N2	R2405	C3		
C2205	G3	C2820	G6	L6000	E4	R2406	M3		
C2211	F5	C2821	I6	L6001	D4	R2407	M3		
C2212	E3	C2822	I7	L6002	C4	R2420	C3		
C2213	E3	C2900	D8	L6020	D9	R2421	C3		
C2215	E4	C3200	I8	M	R2422	C3			
C2216	E3	C3202	H8	M2101	R5	R2423	C2		
C2217	G4	C3204	I9	N	R2430	N1			
C2220	F5	C3205	J8	N1001	D6	R2431	N1		
C2222	F5	C3206	J8	N1002	D7	R2433	N1		
C2225	F5	C3210	J8	N1400	N4	R2434	N2		
C2226	E3	C3216	H9	N1402	N5	R2440	E3		
C2227	E4	C6003	D4	N1403	N5	R2442	E3		
C2228	E4	C6004	D4	N1404	R3	R2449	E2		
C2229	E5	C6005	D4	N1450	Q7	R2450	D2		
C2230	C3	C6006	D3	N2200	F4	R2451	D2		
C2231	G5	C6007	D4	N2000	R2	R2490	C2		
C2232	F5	C6008	D3	N2001	R3	R2800	I6		
C2300	H5	C6012	E4	N2002	R3	R2801	I7		

